



PRODUCTS CATALOG

ELECTRICAL ENCLOSURES & MODULAR CABINETS



20

exmweb.com

NEMA 4X ENCLOSURES

5412 EALQT

ALUMINIUM QUARTER TURN COVER ENCLOSURES

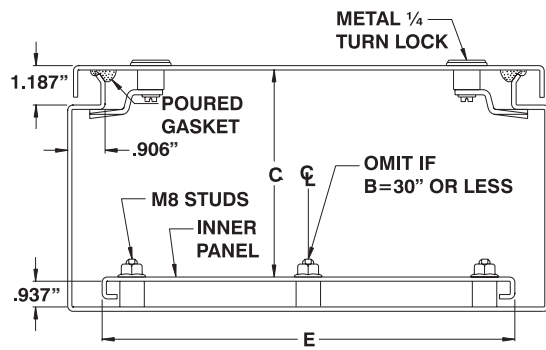
The 5412 EALQT water, oil & dust tight enclosures are used indoors or outdoors, in areas where a corrosion problem exists or where the enclosures may be subject to hosing or water coming from any direction, or for protection against dust, dirt or oil splashing. The 5412 EALQT are made of high quality 0.080" aluminium (Type 5052 H-32), with continuously welded corner seams. The opening has a curled lip around all sides to increase

rigidity and prevent dripping water from entering the enclosure when the cover has been removed. A high quality, robotically poured-in-place, seamless gasket ensures a complete and durable water tight seal. Quarter turn locking mechanisms on all sides ensure positive closing. Internal mounting holes are provided. **Each enclosure comes complete with a 12 GA galvanized inner panel**, which is double bent* for maximum rigidity

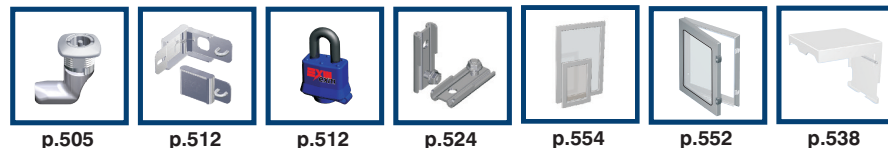
and mounts on M8 welded studs. Enclosures are finished with heat fused powder paint, electrostatically applied on a pretreated base. Box is ANSI/ASA 61 smooth gray. Inner panel is galvanized (other colors available).

**CSA Certified / UL Listed
NEMA/EEMAC 4X / IP66**

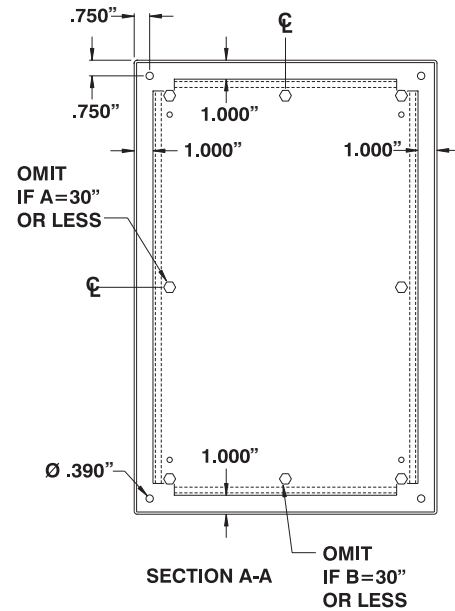
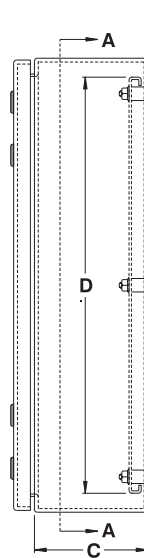
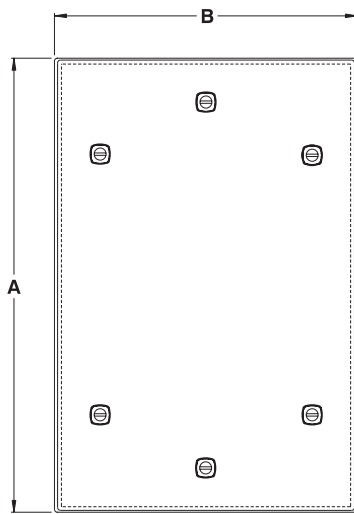
Refer to p.734 to validate choice of substrate for the application



CATALOG NUMBER	DIMENSIONS					SHIP WGT LBS.
	A	B	C	D	E	
5412 EALQT121206	12	12	6	10	10	10
5412 EALQT122406	12	24	6	10	22	18
5412 EALQT161206	16	12	6	14	10	12
5412 EALQT161606	16	16	6	14	14	16
5412 EALQT162006	16	20	6	14	18	19
5412 EALQT201206	20	12	6	18	10	15
5412 EALQT201606	20	16	6	18	14	19
5412 EALQT202006	20	20	6	18	18	23
5412 EALQT202406	20	24	6	18	22	27
5412 EALQT241206	24	12	6	22	10	18
5412 EALQT241606	24	16	6	22	14	22
5412 EALQT242006	24	20	6	22	18	27
5412 EALQT242406	24	24	6	22	22	31
5412 EALQT301606	30	16	6	28	14	27
5412 EALQT302006	30	20	6	28	18	33
5412 EALQT302406	30	24	6	28	22	38
5412 EALQT362406	36	24	6	34	22	45
5412 EALQT363006	36	30	6	34	28	55
5412 EALQT122408	12	24	8	10	22	19
5412 EALQT161208	16	12	8	14	10	14
5412 EALQT161608	16	16	8	14	14	17
5412 EALQT162008	16	20	8	14	18	21
5412 EALQT201208	20	12	8	18	10	17
5412 EALQT201608	20	16	8	18	14	21
5412 EALQT202008	20	20	8	18	18	25
5412 EALQT202408	20	24	8	18	22	29
5412 EALQT241208	24	12	8	22	10	19
5412 EALQT241608	24	16	8	22	14	24
5412 EALQT242008	24	20	8	22	18	29
5412 EALQT242408	24	24	8	22	22	34
5412 EALQT243008	24	30	8	22	28	41
5412 EALQT301208	30	12	8	28	10	23
5412 EALQT301608	30	16	8	28	14	29
5412 EALQT302008	30	20	8	28	18	35
5412 EALQT302408	30	24	8	28	22	41
5412 EALQT303008	30	30	8	28	28	49
5412 EALQT303608	30	36	8	28	34	58
5412 EALQT362408	36	24	8	34	22	48
5412 EALQT363008	36	30	8	34	28	58
5412 EALQT363608	36	36	8	34	34	68
5412 EALQT422408	42	24	8	40	22	55
5412 EALQT423008	42	30	8	40	28	67



ALUMINIUM QUARTER TURN COVER ENCLOSURES



CATALOG NUMBER	DIMENSIONS					SHIP WGHT LBS.
	A	B	C	D	E	
5412 EALQT423608	42	36	8	40	34	78
5412 EALQT482408	48	24	8	46	22	62
5412 EALQT483008	48	30	8	46	28	75
5412 EALQT483608	48	36	8	46	34	89
5412 EALQT603608	60	36	8	58	34	109
5412 EALQT161210	16	12	10	14	10	15
5412 EALQT201610	20	16	10	18	14	22
5412 EALQT202010	20	20	10	18	18	27
5412 EALQT241210	24	12	10	22	10	21
5412 EALQT242010	24	20	10	22	18	31
5412 EALQT242410	24	24	10	22	22	36
5412 EALQT302010	30	20	10	28	18	37
5412 EALQT302410	30	24	10	28	22	43
5412 EALQT362410	36	24	10	34	22	51
5412 EALQT363010	36	30	10	34	28	61
5412 EALQT423010	42	30	10	40	28	70
5412 EALQT423610	42	36	10	40	34	82
5412 EALQT483010	48	30	10	46	28	79
5412 EALQT483610	48	36	10	46	34	93
5412 EALQT603610	60	36	10	58	34	114
5412 EALQT201612	20	16	12	18	14	24
5412 EALQT202012	20	20	12	18	18	29
5412 EALQT202412	20	24	12	18	22	33
5412 EALQT242012	24	20	12	22	18	33
5412 EALQT242412	24	24	12	22	22	38
5412 EALQT302412	30	24	12	28	22	46
5412 EALQT303012	30	30	12	28	28	55
5412 EALQT362412	36	24	12	34	22	54

CATALOG NUMBER	DIMENSIONS					SHIP WGHT LBS.
	A	B	C	D	E	
5412 EALQT363012	36	30	12	34	28	65
5412 EALQT363612	36	36	12	34	34	75
5412 EALQT422412	42	24	12	40	22	59
5412 EALQT423012	42	30	12	40	28	74
5412 EALQT423612	42	36	12	40	34	86
5412 EALQT482412	48	24	12	46	22	69
5412 EALQT483612	48	36	12	46	34	97
5412 EALQT602412	60	24	12	58	22	85
5412 EALQT603612	60	36	12	58	34	118
5412 EALQT723012	72	30	12	70	28	120
5412 EALQT723612	72	36	12	70	34	140
5412 EALQT242016	24	20	16	22	18	37
5412 EALQT242416	24	24	16	22	22	43
5412 EALQT302416	30	24	16	28	22	51
5412 EALQT362416	36	24	16	34	22	60
5412 EALQT363016	36	30	16	34	28	71
5412 EALQT423616	42	36	16	40	34	94
5412 EALQT483616	48	36	16	46	34	105
5412 EALQT603616	60	36	16	58	14	128
5412 EALQT723016	72	30	16	70	28	130
5412 EALQT723616	72	36	16	70	34	151
5412 EALQT302420	30	24	20	28	22	57
5412 EALQT363020	36	30	20	34	28	78
5412 EALQT483620	48	36	20	46	34	113
5412 EALQT603620	60	36	20	58	34	137
5412 EALQT723020	72	30	20	70	28	140
5412 EALQT302424	30	24	24	28	22	62
5412 EALQT723024	72	30	24	70	28	150

* Only panels with sides 20" or more are double bent.

Insulated box? To have your enclosure insulated, add suffix "TH"

i.e.: 5412 EALQT362410TH ← Insulated stainless steel enclosure

